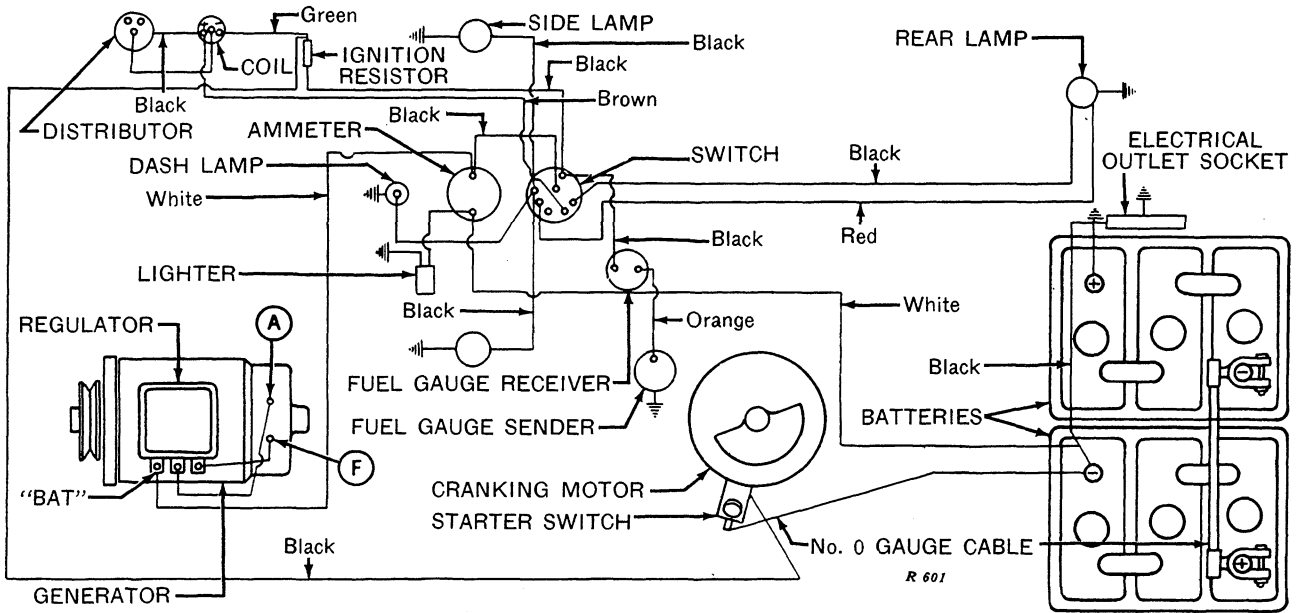
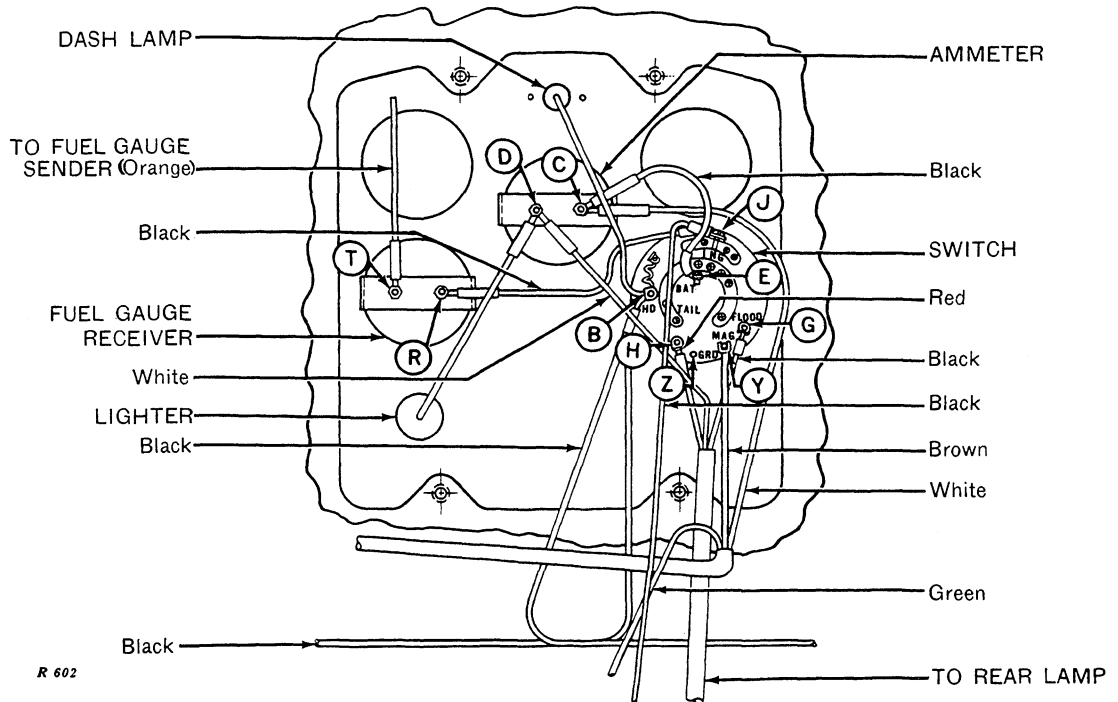


"50," "60," "70," "520," "620," AND "720" SERIES  
 GASOLINE AND ALL-FUEL TRACTORS

Lamps and Wiring

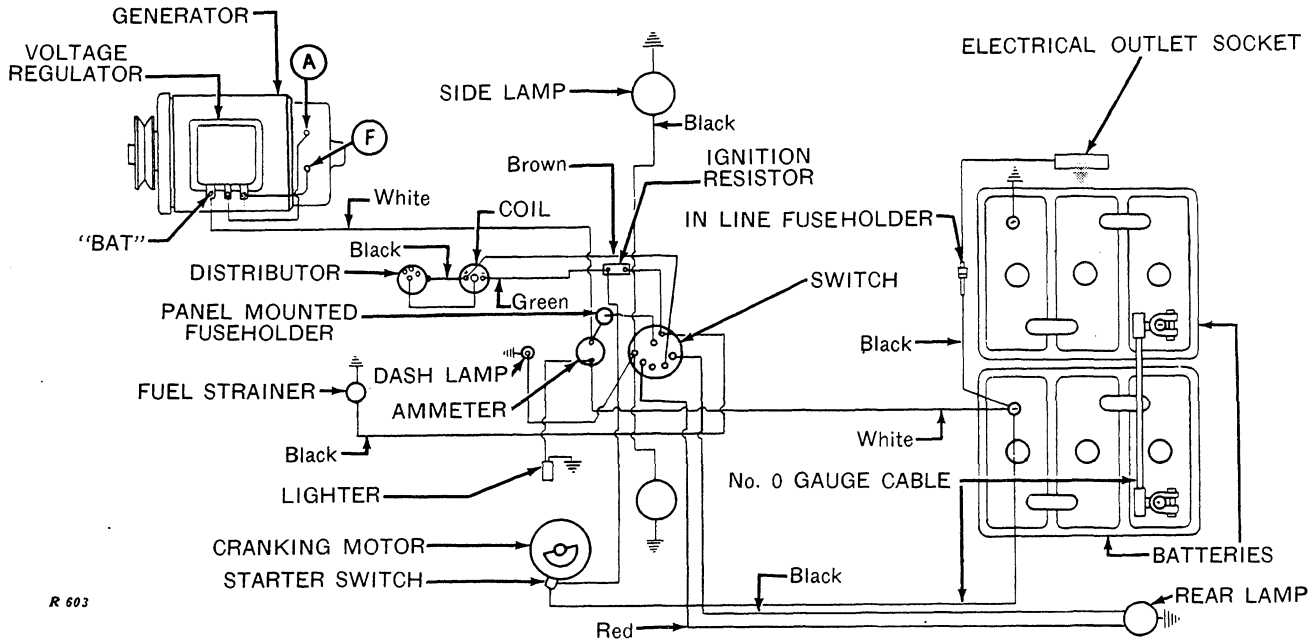


Instrument Panel Wiring



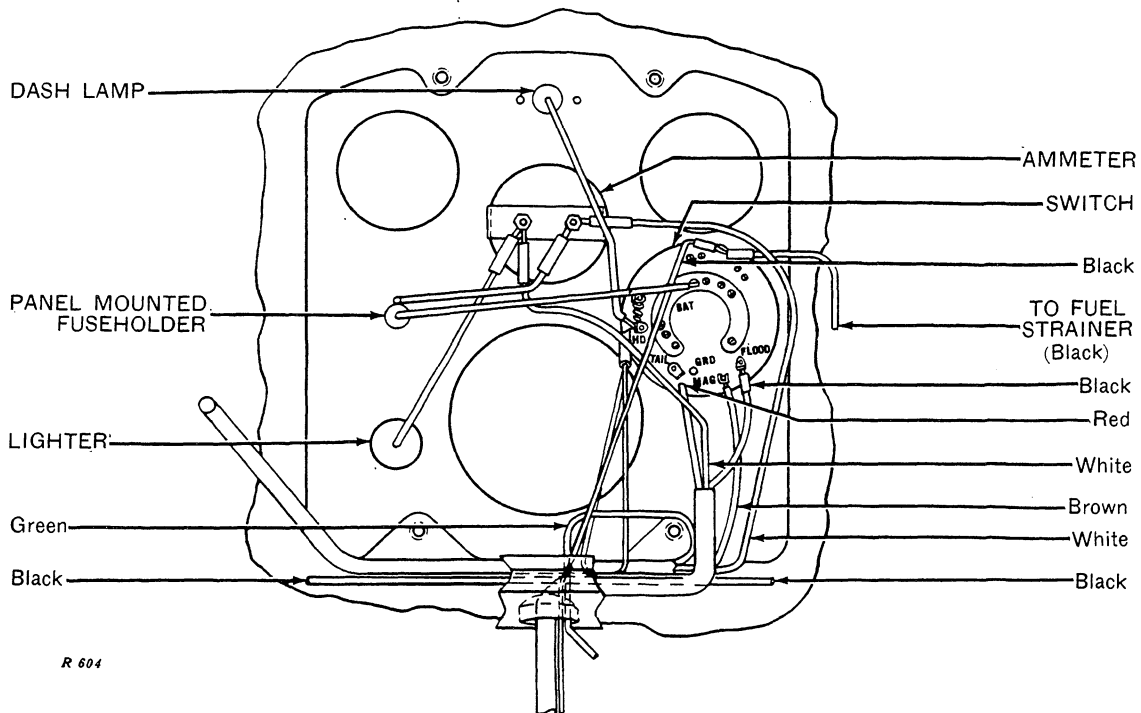
"50," "60," "70," "520," "620," AND "720" SERIES

LP-GAS TRACTORS  
Lamps and Wiring



R 603

Instrument Panel Wiring

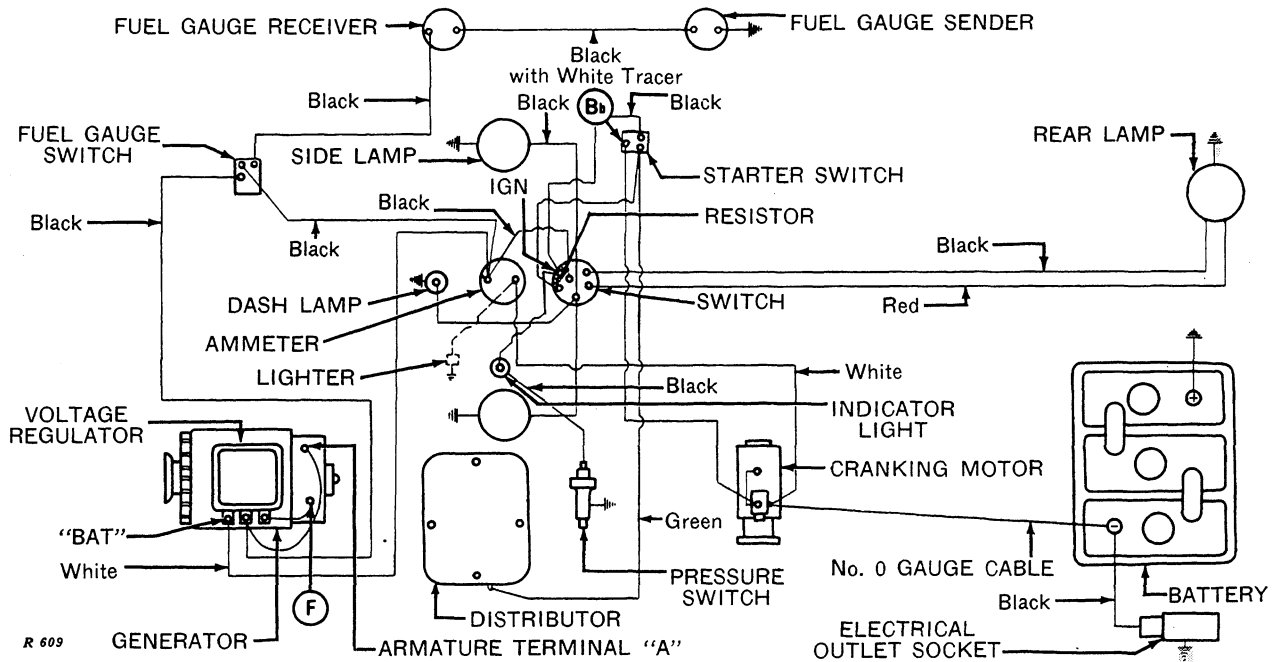


R 604

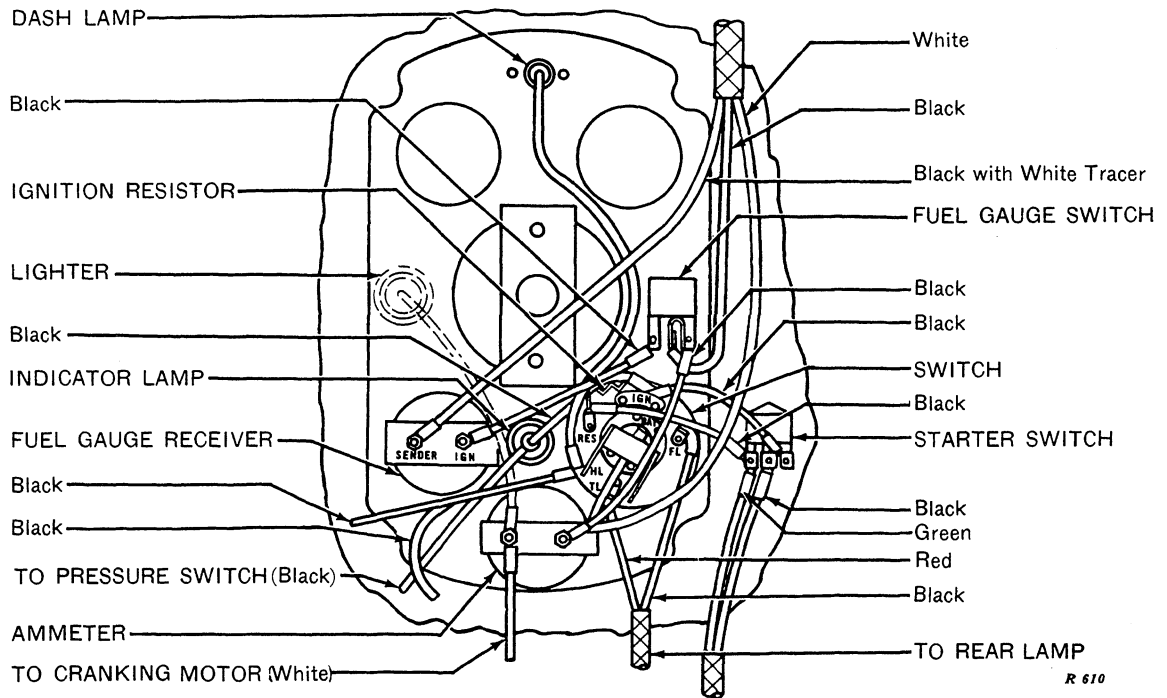


"70" AND "720" SERIES  
GASOLINE ENGINE-CRANKED DIESEL TRACTORS

Lamps and Wiring

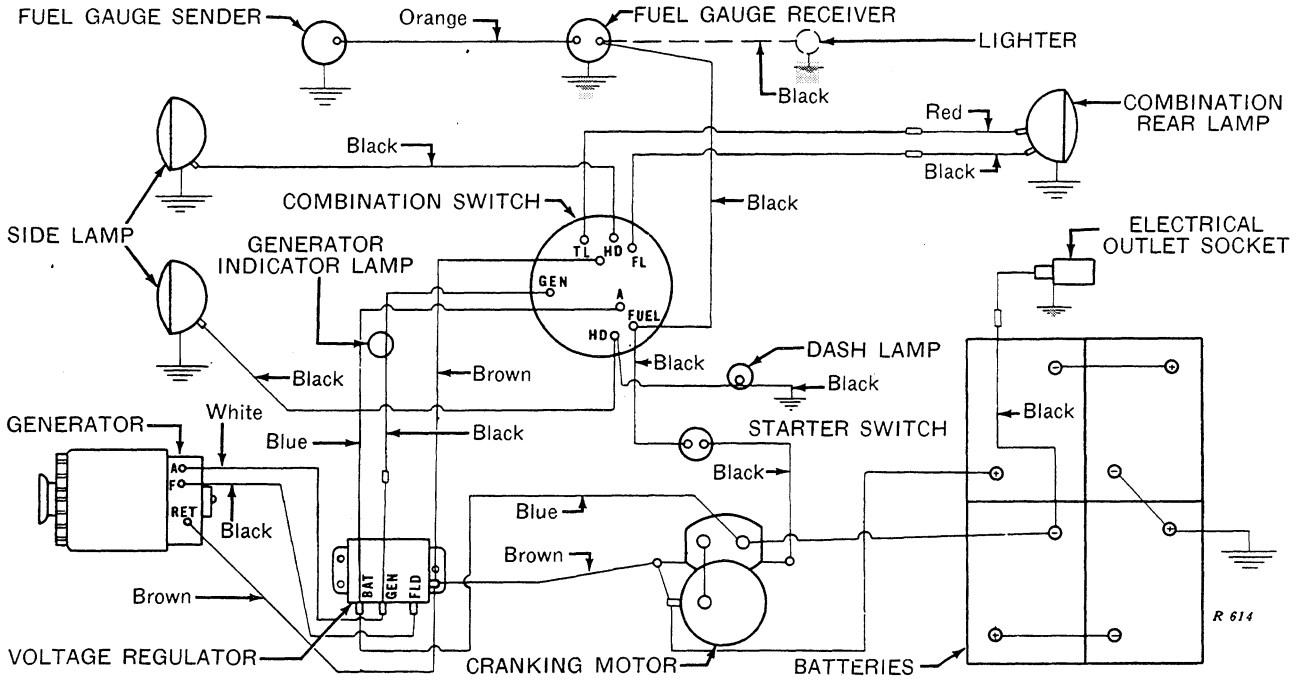


Instrument Panel Wiring



"720" AND "820" SERIES  
ELECTRICALLY-CRANKED DIESEL TRACTORS

24-Volt Starting and Charging and 12-Volt Lamp and Accessory Wiring



Instrument Panel Wiring

