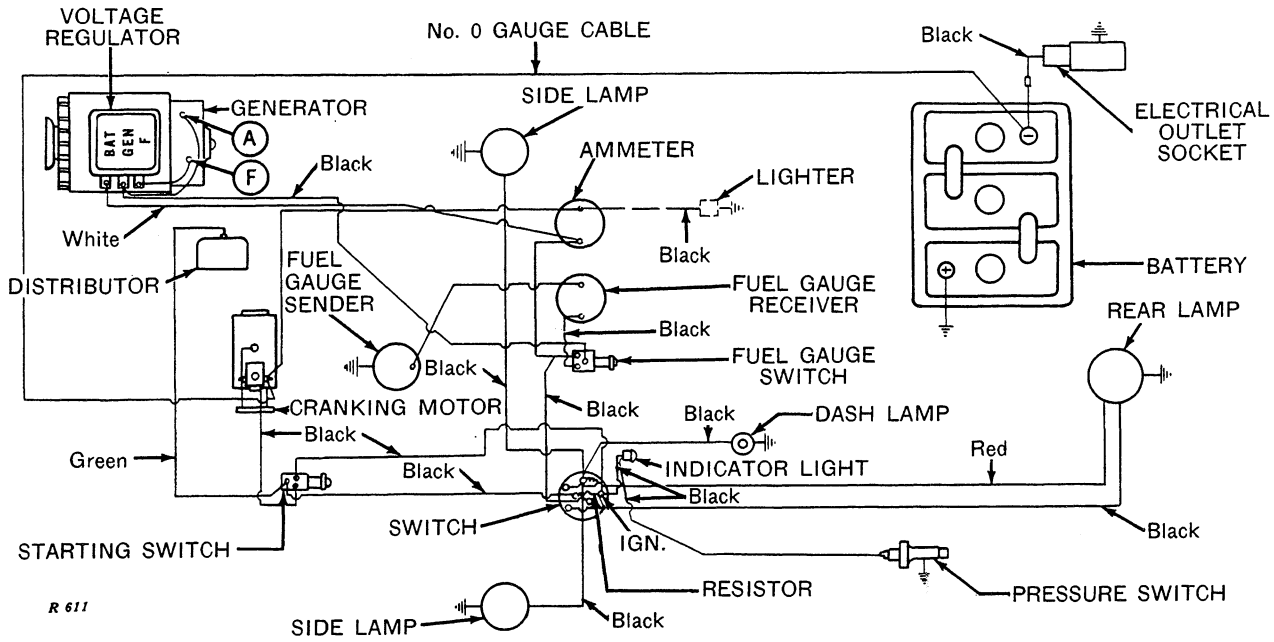
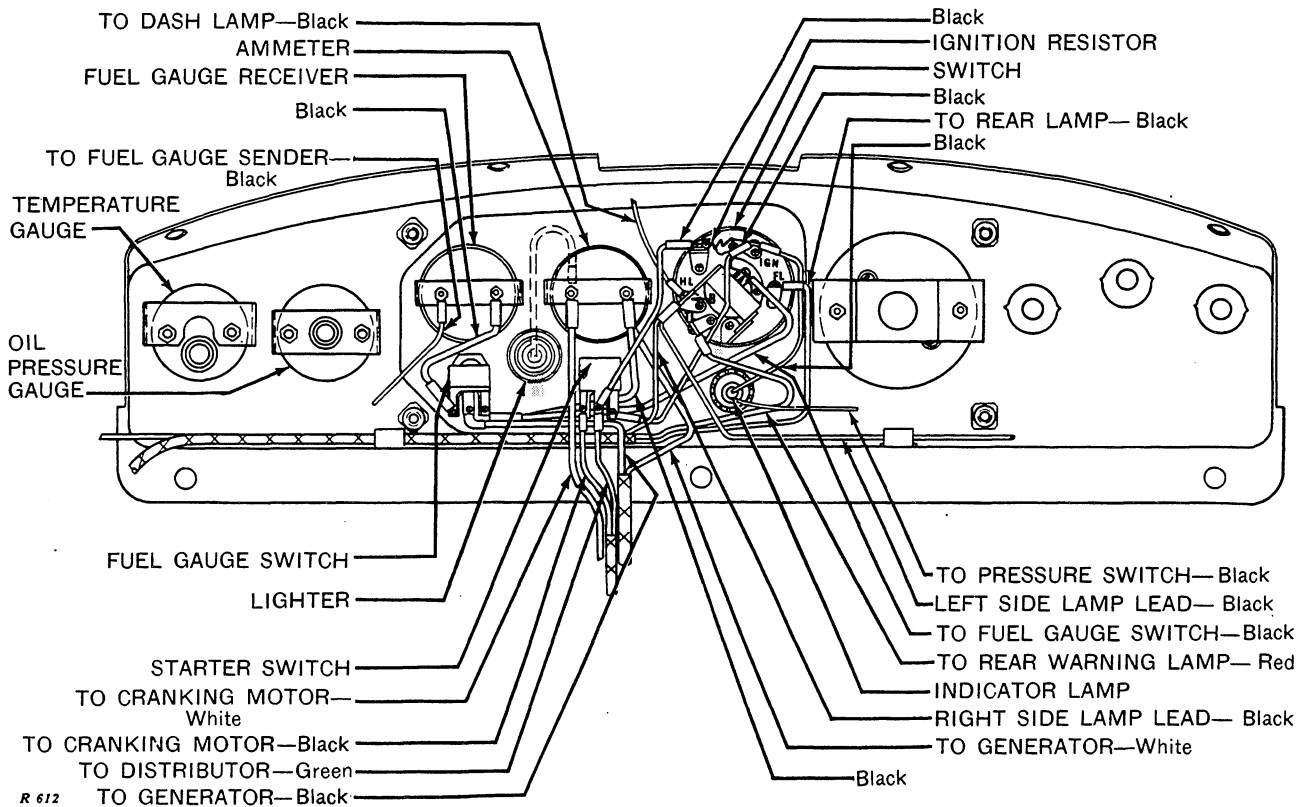


"80" AND "820" SERIES
GASOLINE ENGINE-CRANKED DIESEL TRACTORS
Lamps and Wiring



R 611

Instrument Panel Wiring



R 612

