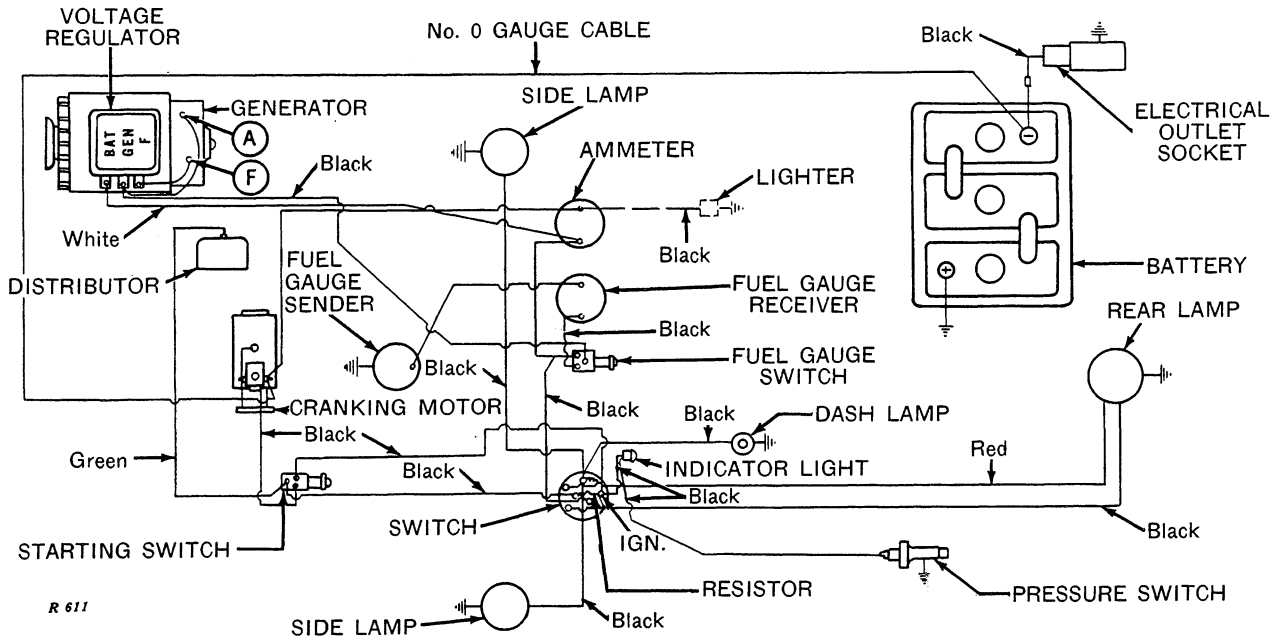
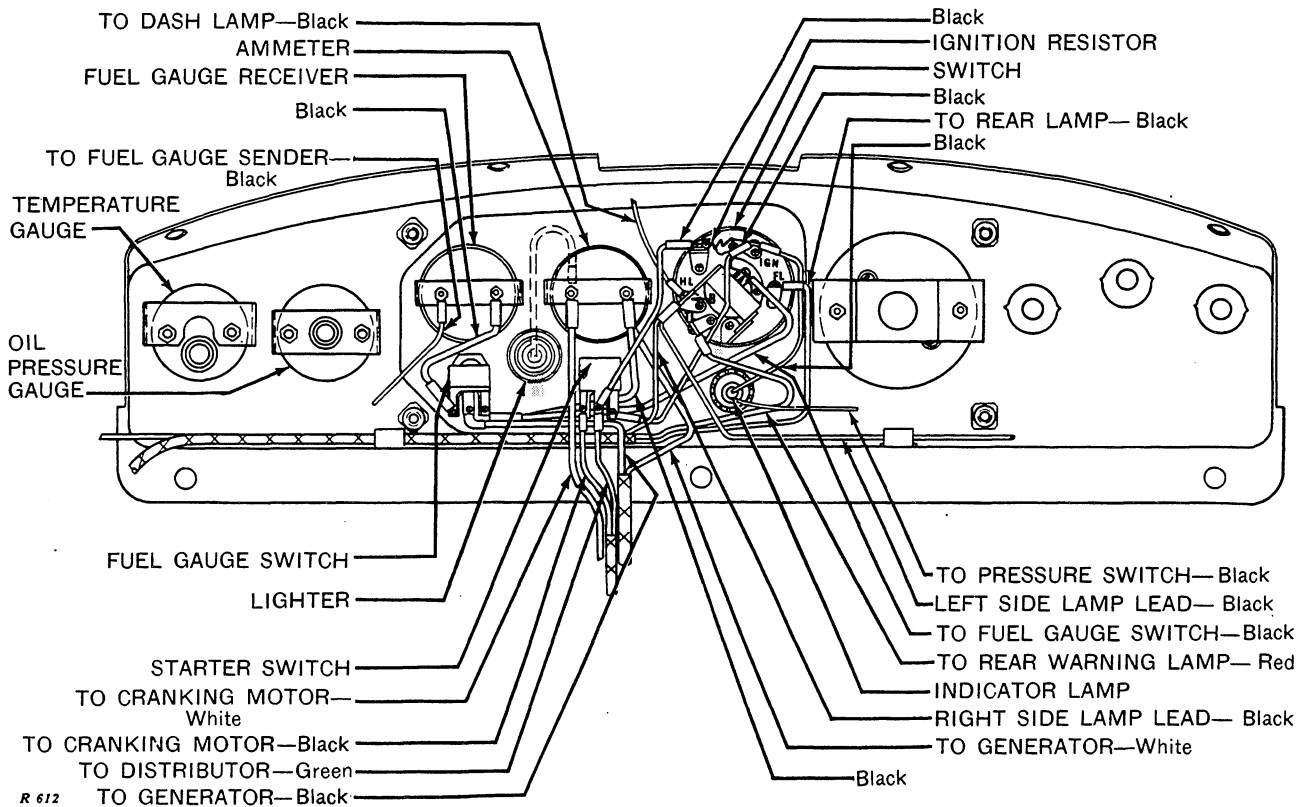


**"80" AND "820" SERIES  
GASOLINE ENGINE-CRANKED DIESEL TRACTORS  
Lamps and Wiring**



R 611

**Instrument Panel Wiring**

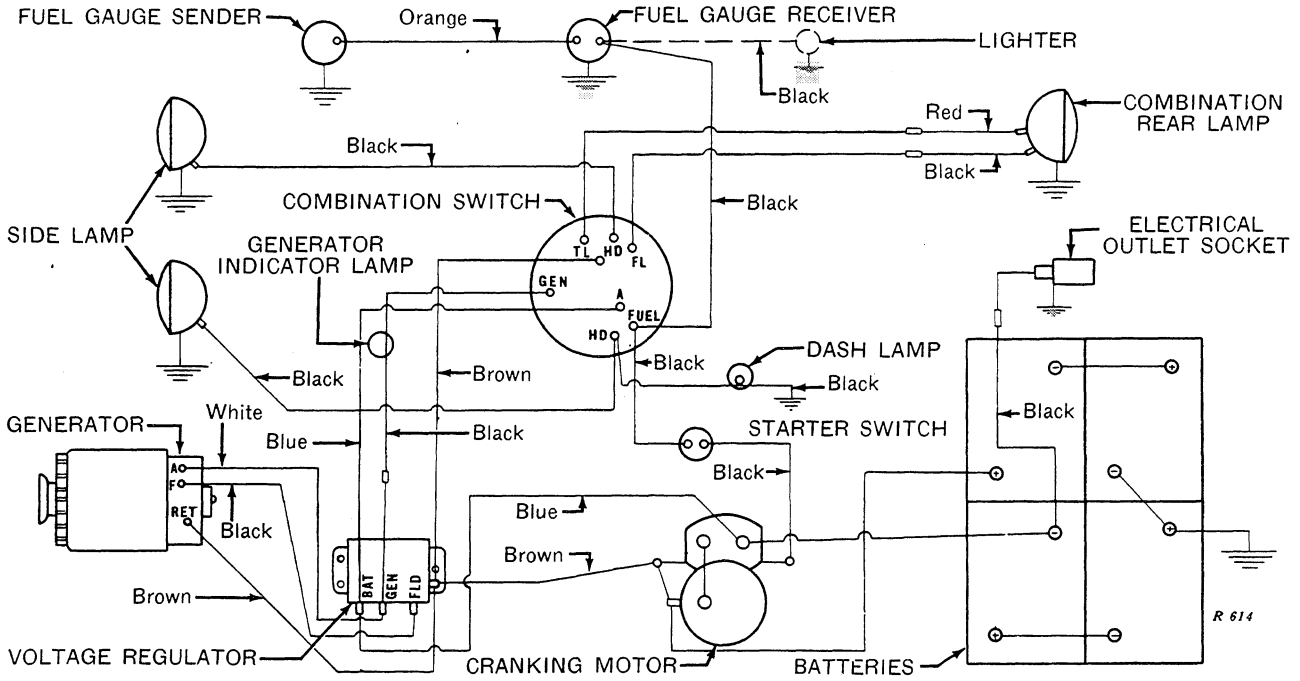


R 612



"720" AND "820" SERIES  
ELECTRICALLY-CRANKED DIESEL TRACTORS

24-Volt Starting and Charging and 12-Volt Lamp and Accessory Wiring



Instrument Panel Wiring

