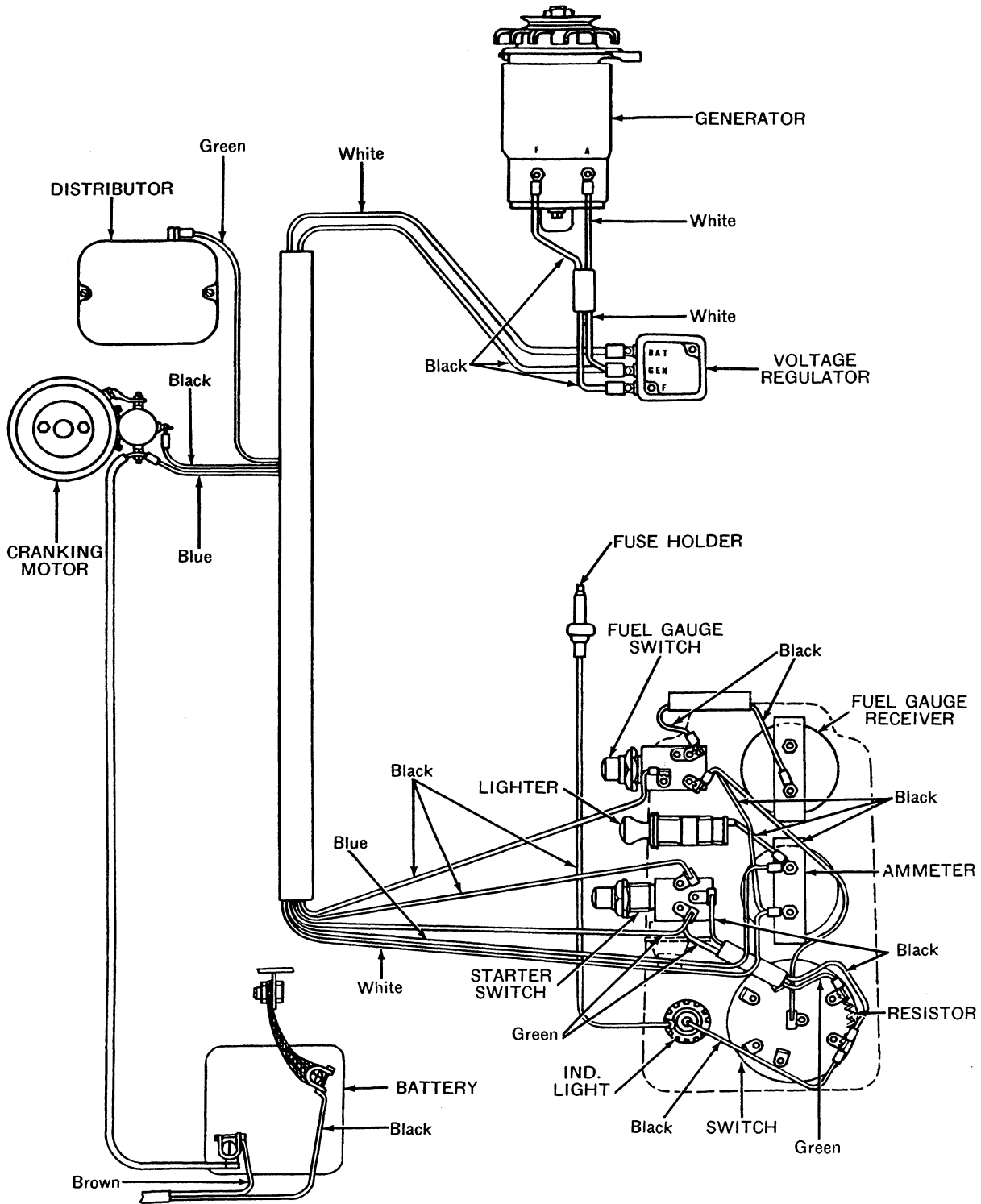


"840" GASOLINE ENGINE-CRANKED DIESEL TRACTOR

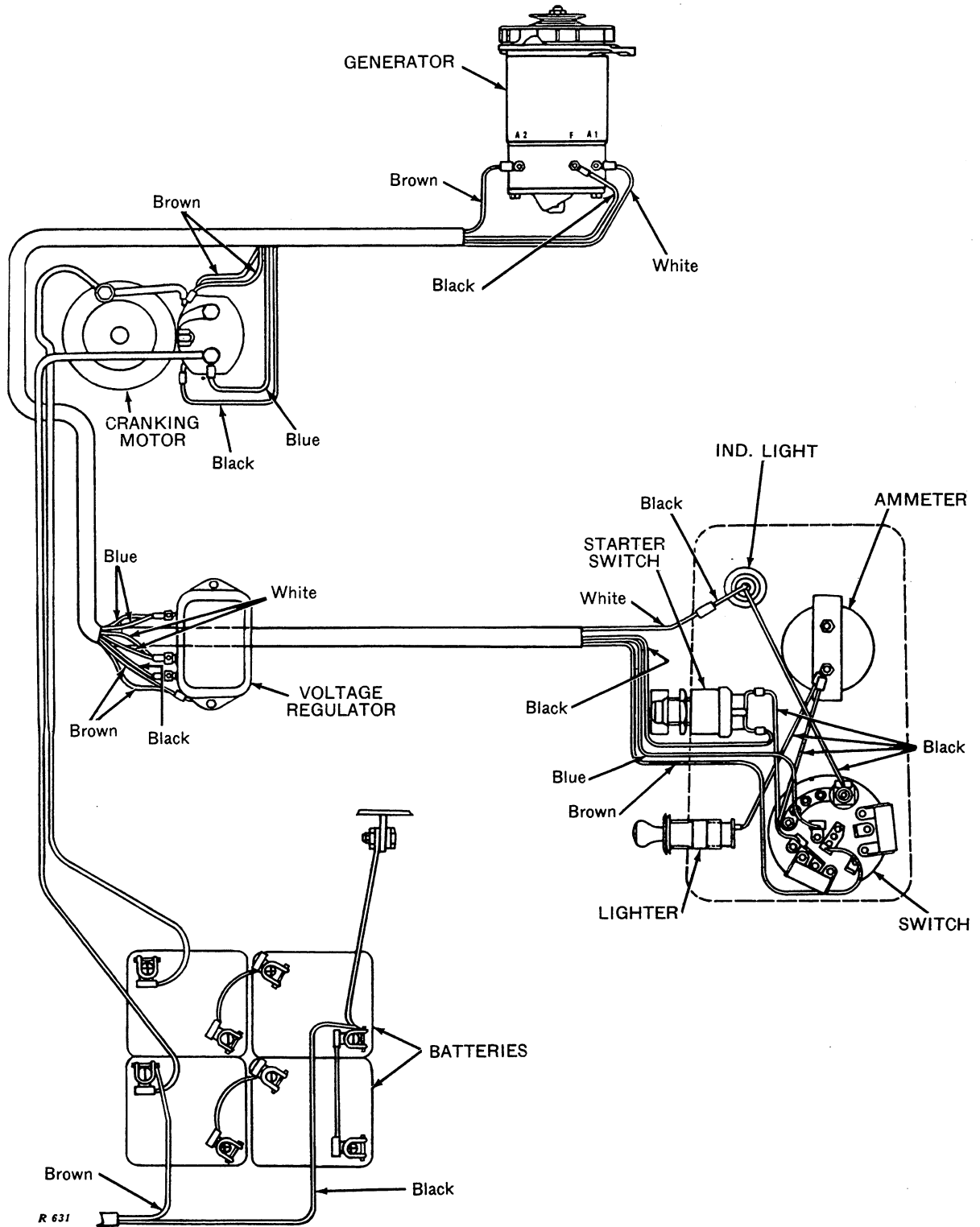
Generator, Ignition, and Starting Wiring



R 630

(For "BRAKES, LAMPS, AND FUEL GAUGE WIRING," see page 80-5-34)

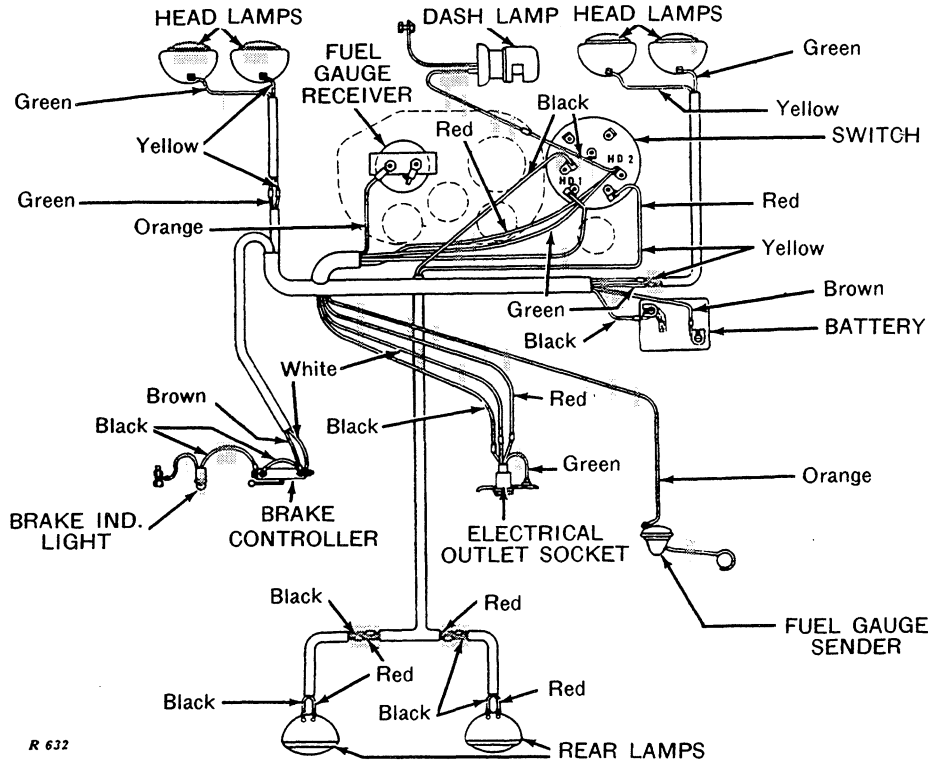
"840" ELECTRICALLY-CRANKED DIESEL TRACTOR
Generator, Ignition, and Starting Wiring



(For "BRAKES, LAMPS, AND FUEL GAUGE WIRING," see next page)

"840" DIESEL TRACTORS—Continued

Brakes, Lamps, and Fuel Gauge Wiring (Gasoline Engine-Cranked)



Brakes, Lamps, and Fuel Gauge Wiring (Electrically-Cranked)

