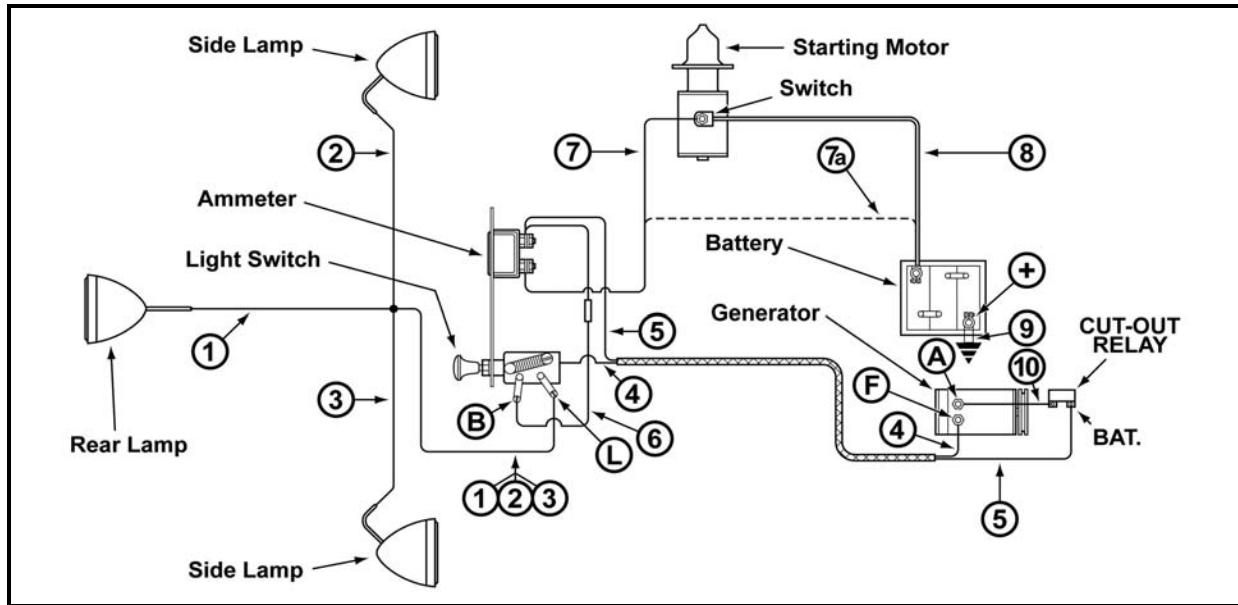


John Deere Model "H" Wiring Diagrams



Wire Run List

Wire #'s 1, 2 and 3 are black and in accord with lighting harness detail below.

Wire # 4, Gen (F) to Light Switch Resistor terminal, 14 AWG, yellow w/green tracers, and 58-inches long.

Wire # 5, Cutout Relay (BAT) to Ammeter, 10 AWG, yellow w/black tracers, and is 58-inches long.

Wire # 6, Ammeter to Light Switch (B) is 12 AWG, contains in-line fuse holder (use 20-amp fuse. A smaller or larger fuse will not suffice!), yellow w/black tracers, and is 15-inches in overall length.

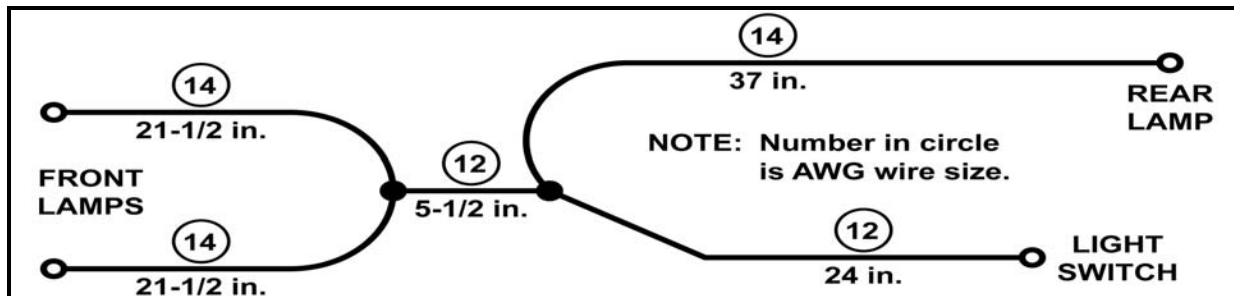
Wire # 7, Ammeter to Starting Motor is 10 AWG, yellow w/black tracers, and is 18-inches long.

Wire # 7a, Ammeter to Battery (-), for tractors with lights only – no starter, 10 AWG, yellow w/black tracers, and is between 50 & 60 inches long (dress to suit).

Wire # 8, Cable from Battery (-) to Starting Motor is 1 AWG, black, 50 – 52 inches long. From the factory, this cable came with galvanized spiral armor, covering the cable in its entirety save for touching the terminals.

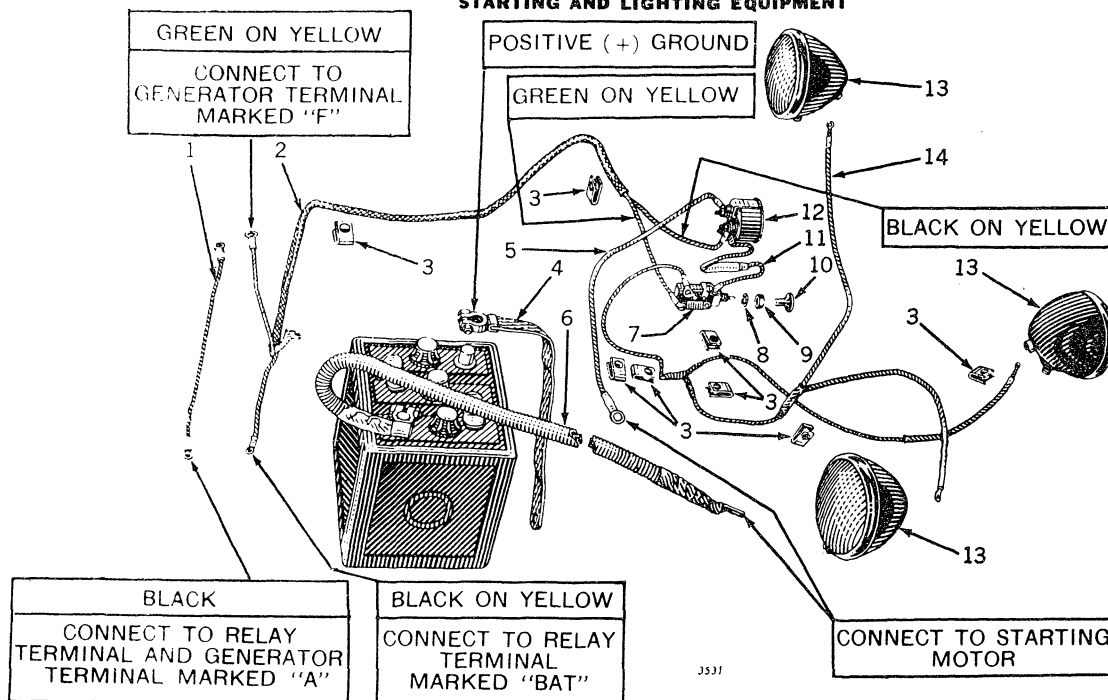
Wire # 9, Battery (+) to Tractor is a braided ground strap sized at 1 AWG. Size 2 AWG will suffice in this application due to its limited length of 12 to 14 inches.

Wire # 10, Cutout Relay (GEN) to Generator (A) is 10 AWG, black, and is 15-inches long. NOTE: The length depends on location of cutout, and can be shorter if cutout is mounted on the generator.



John Deere Model "H" Lighting Harness Detail

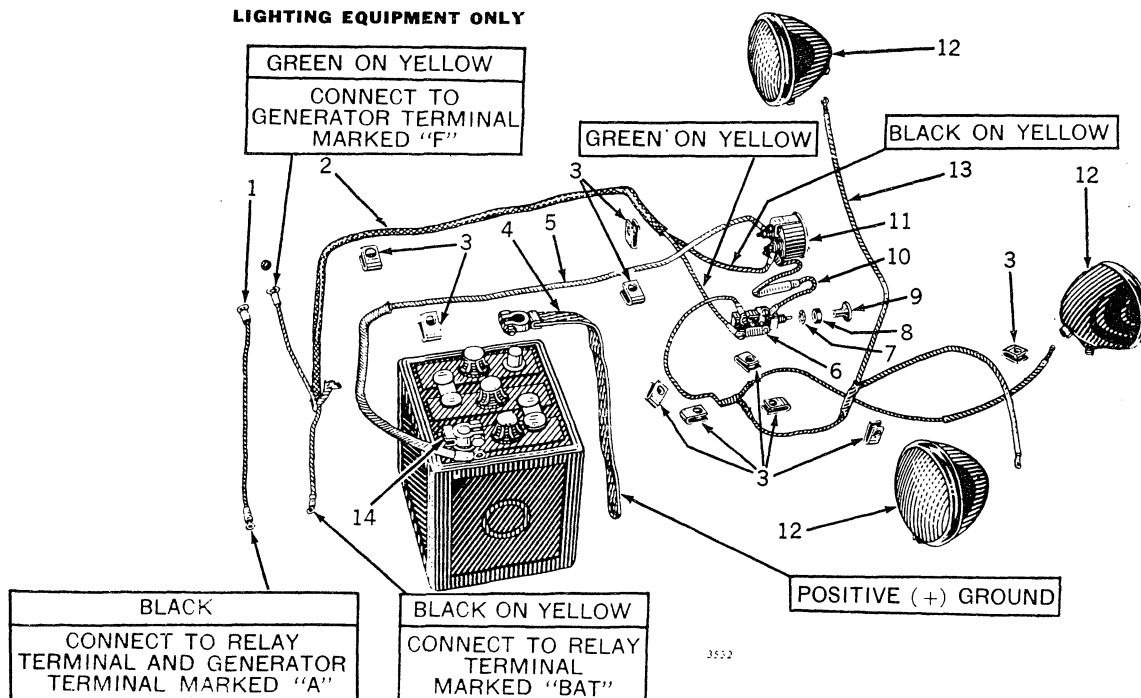
STARTING AND LIGHTING EQUIPMENT



3531

Key	Part No.	Description	Serial No.
1	AH 976 R	Wire, Lead	H27000-
2	AH 973 R	Harness, Generator Wiring	H27000-
3	A 2610 R	Clip (8 used) (Sub. for A1225R)	H27000-
4	AB 1833 R	Cable, Ground	H27000-
5	AA 4442 R	Wire, Lead (Sub. for AB1830R and AD2639R)	H27000-
6	AH 969 R	Cable	H27000-
7	AF 687 R	Switch, Light (Sub. for AB2687R)	H27000-
	1838155	Resistor (For AB2687R Light Switch)	H27000-44510
8	12H 273 R	Washer, Lock (Use with AF687R) (Sub. for F692R)	H27000-
9	14H 383 R	Nut, Jam (3/8") (For AB2687R Light Switch)	H27000-44510
		Nut, Jam (3/8") (Use with AF687R)	H27000-
10	F 690 R	Knob, Light Switch (Use with AF687R)	H27000-
	AB 1189 R	Handle, Light Switch (For AB2687R, Light Switch)	H27000-44510
11	AF 701 R	Lead, Fuse, with Fuse (Use with AF687R)	H27000-
12	AF 2749 R	Ammeter with Clamp (Sub. for AB2568R)	H27000-
13	AF 3817 R	Lamp, Front (2 used) (Sub. for AA3075R)	H27000-
	AA 4618 R	Lamp, Combination Rear and Warning	H27000-
14	AH 972 R	Cable, Lighting	H27000-

LIGHTING EQUIPMENT ONLY



3532

